



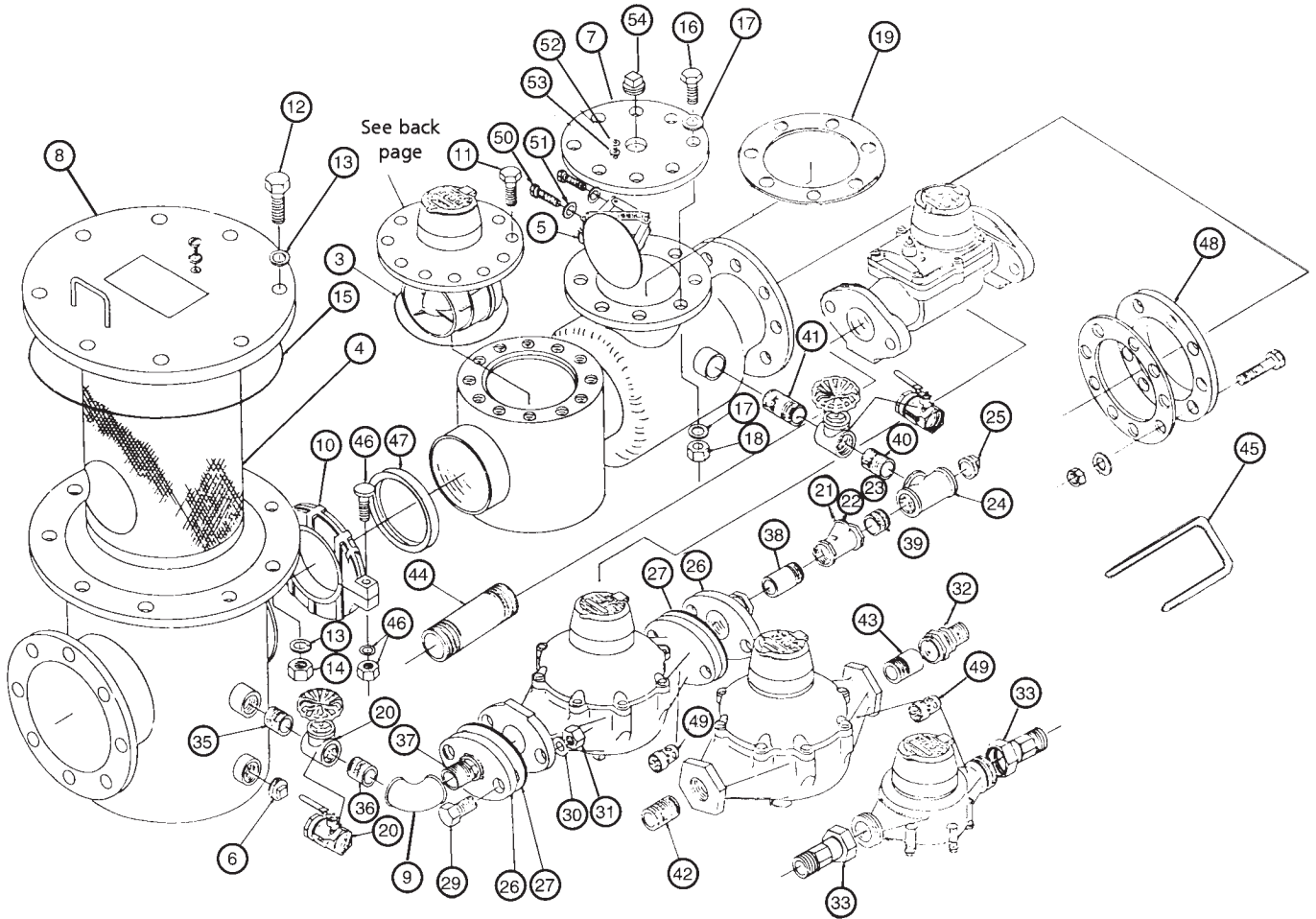
ARB® UTILITY MANAGEMENT SYSTEMS™ WATER | ELECTRIC | GAS

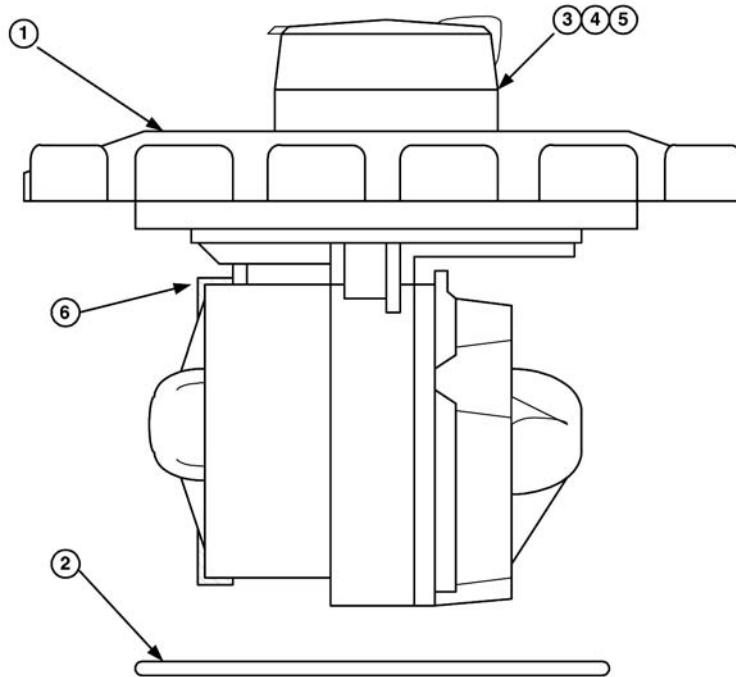
HP PROTECTUS® III Parts List



HP PROTECTUS® III PARTS LIST

		4"	6"	8"	10"
3	Meter Cover O-Ring	8316-271	8316-272	8316-272	8316-272
4	Strainer Element	11462-001	11462-002	11462-003	11462-004
5	Main Line Valve	9760-100	9760-200	9760-300	9760-300
6	Flush Port Pipe Plug	8315-011	8315-017	8315-017	8315-017
7	Meter Valve Cover	11705-101	11705-201	11705-301	11705-301
8	Strainer Body Cover	11957-101	11957-201	11957-301	11957-401
9	90° Elbow	8385-203	8385-201	8385-202	8385-202
10	Victaulic Coupling	60720-001	60720-002	60720-003	60720-007
10	Victaulic Coupling (S/S Bolts)	60720-008	60720-009	60720-010	60720-011
11	Meter Cover Bolts (S/S)	8329-426 (8)	8329-405 (12)	8329-405 (12)	8329-405 (12)
12	Strainer Cover Bolts	8307-029 (8)	8307-036(12)	8307-031 (16)	8307-031 (20)
12	Strainer Cover Bolts (S/S)	8307-032 (8)	8307-037(12)	8307-034 (16)	8307-034 (20)
13	Strainer Cover Washers (S/S)	8568-023 (16)	8568-026 (24)	8568-034 (32)	8568-034 (40)
14	Strainer Cover Nuts	8545-411 (8)	8545-410 (12)	8545-424 (16)	8545-424(20)
14	Strainer Cover Nuts (S/S)	8545-416 (8)	8545-420 (12)	8545-426 (16)	8545-426 (20)
15	Strainer Cover O-Ring	8316-312	8316-311	8316-309	8316-310
16	Valve Cover Bolts	8329-509 (8)	8307-009 (8)	8307-029 (8)	8307-029
16	Valve Cover Bolts (S/S)	8307-019 (8)	8307-032 (8)	8307-032 (8)	8307-032
17	Valve Cover Washers	616-000 (16)	8568-029 (16)	8568-029	8568-029
17	Valve Cover Washers (S/S)	8568-022 (16)	8568-023 (16)	8568-023	8568-023
18	Valve Cover Nuts	8545-410 (8)	8545-410 (8)	8545-411	8545-411
18	Valve Cover Nuts (S/S)	8545-404 (8)	8545-416 (8)	8545-416 (8)	8545-416 (8)
19	Valve Cover Gasket	60707-004	60707-006	60707-008	60707-008
20	Gate Valve	8368-008	8368-010	8368-011	8368-011
20	Ball Valve	8368-819	8368-820	8368-821	8368-821
20	Ball Valve (Lockable)	8368-803	8368-804	8368-805	8368-805
21	Check Valve	8368-403	8368-401	8368-402	8368-402
22	Check Valve Bolt				
23	Check Valve Washer				
24	Test Tee	8386-101	8386-102	8386-103	8386-103
25	Test Tee Pipe Plug	8315-010	8315-008	8315-009	8315-009
26	Oval Flange	N/A	60708-101	60708-201	60708-201
27	Oval Gasket	N/A	60709-001	60709-002	60709-002
28	Adjustable Oval Flange	N/A	60711-002	60711-001	60711-001
29	Flange Bolt	N/A	8307-007 (4)	8307-009 (4)	8307-009 (4)
29	Flange Bolt (S/S)	N/A	8307-019 (4)	8307-032 (4)	8307-032 (4)
30	Flange Washer	N/A	616-000 (4)	2025-000 (4)	2025-000 (4)
30	Flange Washer (S/S)	N/A	8568-022 (4)	8568-023 (4)	8568-023 (4)
31	Flange Nut	N/A	41226-000 (4)	41227-000 (4)	41227-000(4)
31	Flange Nut (S/S)	N/A	8545-404 (4)	8545-416 (4)	8545-416 (4)
32	Pack Joint	N/A	8374-614	8374-615	8374-615
33	Coupling Assembly	60700-102			
34	Bypass Plug	8315-019	8315-008	8315-011	8315-011
35	Threaded Nipple	8314-404	8314-607	8314-701	8314-701
36	Threaded Nipple	8314-401	8314-607	8314-701	8314-701
37	Threaded Nipple	N/A	8314-604	8314-701	8314-708
38	Threaded Nipple	N/A	8314-609	8314-717	8314-707
39	Threaded Nipple	8314-407	8314-607	8314-701	8314-704
40	Threaded Nipple	8314-401	8314-604	8314-701	8314-701
41	Threaded Nipple	8314-404	8314-604	8314-703	8314-704
42	Threaded Nipple	N/A	8314-604	8314-702	8314-709
43	Threaded Nipple	N/A	8314-609	8314-717	8314-711
44	Turbine Bypass	N/A	8314-603	8314-713	8314-714
45	Valve Retainer Tool	5500-153	5500-154	5500-155	5500-155
46	Victaulic Bolt and Nut	60734-001	60734-002	60734-003	60734-004
47	Victaulic Gasket	60721-001	60721-002	60721-003	60721-004
48	Flange Kit	60705-400	60705-600	60705-800	60705-900
48	Flange Kit (S/S)	60705-450	60705-650	60705-850	60705-950
48	Flange	60706-400	60706-600	60706-800	60706-900
49	Throttle Valve	11668-000	11668-100	11668-200	11668-200
50	Bolt-Knuckle Valve	8329-207	8329-207	8329-207	8329-207
51	Washer-Knuckle Valve	8387-401	8387-401	8387-401	8387-401
52	Vent Screw	2251-004	2251-004	2251-004	2251-004
53	Vent Screw Washer	2252-000	2252-000	2252-000	2252-000
54	Test Port Pipe Plug	8315-011	8315-017	8315-017	8315-017





METER SIZE	ITEM 1	ITEM 2	DIAL	ITEM 3 D.R.		ITEM 4 WITH OIL A.R.B. V (LP) (2 BD)		ITEM 4 WITH OIL A.R.B. V (LP) (3 BD)		ITEM 5 WITH OIL PROREAD (ARB VI) (LP) (2 BD)		ITEM 5 WITH OIL PROREAD (ARB VI) (LP) (3 BD)		ITEM 6
	Cover Ass't	O-Ring		Reg#	U.M.E #	Reg#	U.M.E. #	Reg #	U.M.E. #	Reg #	U.M.E. #	Reg #	U.M.E. #	Seal Ring
4"	11328-230	8316-271	100 GAL.	R85G6	9719-301	R55G61	9719-303	R55G62	9719-304	R65G61	9719-305	R65G62	9719-306	11335-001
			10 CU. FT.	R85F6	9719-311	R55F61	9719-313	R55F62	9719-314	R65F61	9719-315	R65F62	9719-316	
			1 M ³	R85M6	9719-321	R55M61	9719-323	R55M62	9719-324	R65M61	9719-325	R65M62	9719-326	
			100 IMP. GAL.	R85I6	9719-331	R55I61	9719-333	R55I62	9719-334	R65I61	9719-335	R65I62	9719-336	
6"	11328-330	8316-272	1000 GAL.	R85G7	9719-401	R55G71	9719-403	R55G72	9719-404	R65G7	9719-405	R65G72	9719-406	11335-002
			100 CU. FT.	R85F7	9719-411	R55F71	9719-413	R55F72	9719-414	R65F71	9719-415	R65F72	9719-416	
			10 M ³	R85M7	9719-421	R55M71	9719-423	R55M72	9719-424	R65M71	9719-425	R65M72	9719-426	
			1000 IMP. GAL.	R85I7	9719-431	R55I71	9719-433	R55I72	9719-434	R65I71	9719-435	R65I72	9719-436	
8"	11328-430	8316-272	1000 GAL.	R85G8	9719-501	R55G81	9719-503	R55G82	9719-504	R65G81	9719-505	R65G82	9719-506	
			100 CU. FT.	R85F8	9719-511	R55F81	9719-513	R55F82	9719-514	R65F81	9719-515	R65F82	9719-516	
			10 M ³	R85M8	9719-521	R55M81	9719-523	R55M82	9719-524	R65M81	9719-525	R65M82	9719-526	
			1000 IMP. GAL.	R85I8	9719-531	R55I81	9719-533	R55I82	9719-534	R65I81	9719-535	R65I82	9719-536	
10"	11328-530	8316-272	1000 GAL.	R85G9	9719-601	R55G91	9719-603	R55G92	9719-604	R65G91	9719-605	R65G92	9719-606	
			100 CU. FT.	R85F9	9719-611	R55F91	9719-613	R55F92	9719-614	R65F91	9719-615	R65F92	9719-616	
			10 M ³	R85M9	9719-621	R55M91	9719-623	R55M92	9719-624	R65M91	9719-625	R65M92	9719-626	
			1000 IMP. GAL.	R85I9	9719-631	R55I91	9719-633	R55I92	9719-634	R65I91	9719-635	R65I92	9719-636	

Neptune engages in ongoing research and development to improve and enhance its products. Therefore, Neptune reserves the right to change product or system specifications without notice.

Neptune Technology Group Inc.

1600 Alabama Highway 229
Tallahassee, AL 36078
USA
Tel: (800) 645-1892
Fax: (334) 283-7299

Neptune Technology Group (Canada) Ltd.

7275 West Credit Avenue
Mississauga, Ontario
L5N 5M9
Canada
Tel: (905) 858-4211
Fax: (905) 858-0428

Neptune Technology Group Inc.

Ejército Nacional No. 418
Piso 12, Desp. 1201-1202
Col. Chapultepec Morales
Delegación Miguel Hidalgo
11570 México, Distrito Federal
Tel: (525) 55203 5294 / (525) 55203 5708
Fax: (525) 55203 6503

