

# High Performance (HP) Turbine Parts List

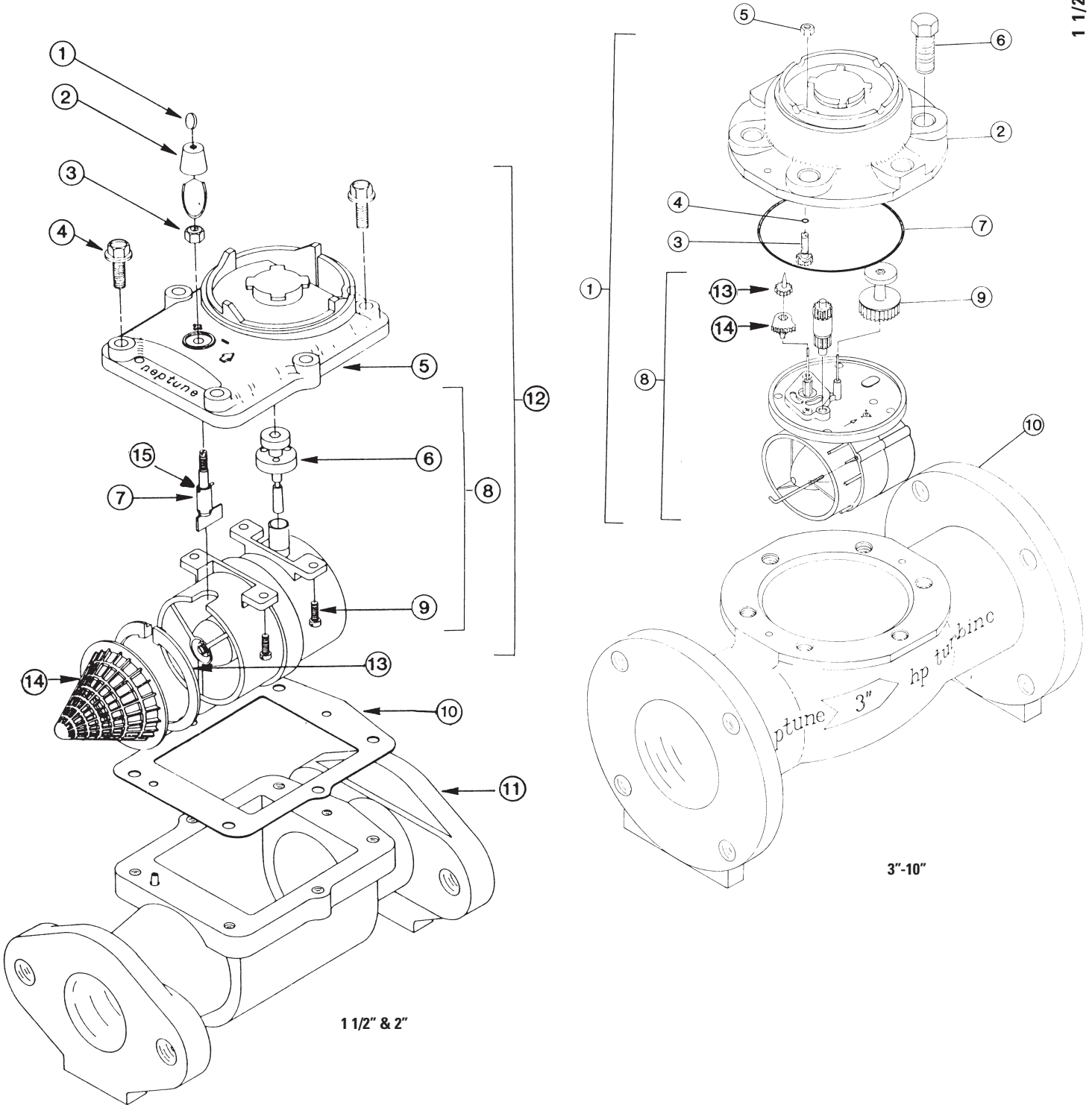


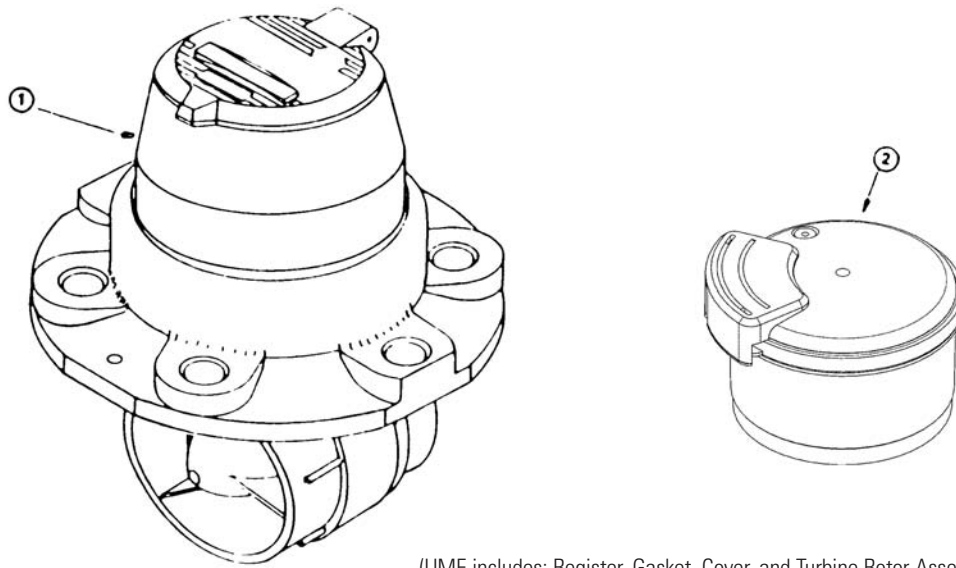
## 1 1/2" &amp; 2"

ITEM	DESCRIPTION	METER SIZE & PART NUMBERS	
		1 1/2" HP	2" HP
1	16" Seal Wire with Lead Seal	41110-501	41110-501
2	Seal Cap	11098-001	11098-001
3	Calibration Nut	8545-417	8545-417
4	Maincase Bolts (Qty)	N/A	N/A
5	Cover	9860-002	9860-002
6	Drive Spindle Assembly	9485-012	9485-012
7	Calibration Vane Assembly	11097-110	11097-110
8	Measuring Chamber Assembly	9861-200	9861-200
9	Bolts (Qty)	8396-605 (4)	8396-605 (4)
10	Maincase Gasket	9857-003	9857-003
11	Maincase	9854-012	9854-011
12	Cover Assembly	9859-200	9859-200
13	Lock Ring	9856-001	9856-001
14	Flow Conditioner/Strainer	9855-001	9855-001
15	O-Ring	8316-022	8316-022
16	Seal Ring (not shown)	8340-062	8340-062

## 3"-10"

ITEM	DESCRIPTION	METER SIZE AND PART NUMBERS				
		3" HP	4" HP	6" HP	8" HP	10" HP
1	Cover Assembly	11328-130	11328-230	11328-330	11328-430	11328-530
2	Cover	11361-002	11330-002	11359-002	11359-002	11359-002
3	Calibration Vane Stem Assembly	11354-000	11354-000	11354-000	11354-000	11354-000
4	Calibration Vane Stem O-Ring	8316-022	8316-022	8316-022	8316-022	8316-022
5	Calibration Vane Stem Nut	8545-417	8545-417	8545-417	8545-417	8545-417
6	Maincase Bolts	8329-405	8329-405	8329-421	8329-421	8329-421
7	Maincase O-Ring	8316-270	8316-271	8316-272	8316-272	8316-272
8	Measuring Chamber Assembly	11329-100	11329-200	11329-300	11329-400	11329-500
9	Magnet Gear Assembly	11347-110	11347-210	11347-310	11347-410	11347-510
10	Maincase	11360-003	11327-002	11356-011	11357-002	11358-002
11	Seal Tube (not shown)	11335-103	N/A	N/A	N/A	N/A
12	Element Seal (not shown)	N/A	11335-001	N/A	N/A	N/A
13	Drive Pinion	11352-001	11352-002	11352-003	11352-004	11352-005
14	Calibration Vane Gear	11353-001	11353-001	11353-001	11353-001	11353-001





(UME includes: Register, Gasket, Cover, and Turbine Rotor Assembly)

SIZE	REGISTRATION	¹DIRECT READ		²ARB* 4-WHEEL ENCODER		²ARB* 6-WHEEL ENCODER		³PROREAD™ (ARB VI)* 4-WHEEL ENCODER		³PROREAD™ (ARB VI)* 6-WHEEL ENCODER	
		REGISTER	UME	REGISTER	UME	REGISTER	UME	REGISTER	UME	REGISTER	UME
1 1/2" & 2" HP	Cu. Ft.	R85F1	9700-010	R55F11	9700-012	R55F12	9700-014	R65F11	9700-013	R65F12	9700-015
	Gal.	R85G1	9700-020	R55G11	9700-022	R55G12	9700-024	R65G11	9700-023	R65G12	9700-025
	M³	R85M1	9700-040	R55M11	9700-042	R55M12	9700-044	R65M11	9700-043	R65M12	9700-045
3" HP	Cu. Ft.	R85F2	9700-110	R55F21	9700-112	R55F22	9700-114	R65F21	9700-113	R65F22	9700-115
	Gal.	R85G2	9700-120	R55G21	9700-122	R55G22	9700-124	R65G21	9700-123	R65G22	9700-125
	M³	R85M2	9700-140	R55M21	9700-142	R55M22	9700-144	R65M21	9700-143	R65M22	9700-145
4" HP	Cu. Ft.	R85F3	9700-210	R55F31	9700-212	R55F32	9700-214	R65F31	9700-213	R65F32	9700-215
	Gal.	R85G3	9700-220	R55G31	9700-222	R55G32	9700-224	R65G31	9700-223	R65G32	9700-225
	M³	R85M3	9700-240	R55M31	9700-242	R55M32	9700-244	R65M31	9700-243	R65M32	9700-245
6" HP	Cu. Ft.	R85F4	9700-310	R55F41	9700-312	R55F42	9700-314	R65F41	9700-313	R65F42	9700-315
	Gal.	R85G4	9700-320	R55G41	9700-322	R55G42	9700-324	R65G41	9700-323	R65G42	9700-325
	M³	R85M4	9700-340	R55M41	9700-342	R55M42	9700-344	R65M41	9700-343	R65M42	9700-345
8" HP	Cu. Ft.	R85F5	9700-410	R55F51	9700-412	R55F52	9700-414	R65F51	9700-413	R65F52	9700-415
	Gal.	R85G5	9700-420	R55G51	9700-422	R55G52	9700-424	R65G51	9700-423	R65G52	9700-425
	M³	R85M5	9700-440	R55M51	9700-442	R55M52	9700-444	R65M51	9700-443	R65M52	9700-445
10" HP	Cu. Ft.	R85F0	9700-510	R55F01	9700-512	R55F02	9700-514	R65F01	9700-513	R65F02	9700-515
	Gal.	R85G0	9700-520	R55G01	9700-522	R55G02	9700-524	R65G01	9700-523	R65G02	9700-525
	M³	R85M0	9700-540	R55M01	9700-542	R55M02	9700-544	R65M01	9700-543	R65M02	9700-545

\*Registers do not include ARB® remote receptacles.

Note: When ordering registers, please include change gear combination or four-digit register code from dial face.

Neptune engages in ongoing research and development to improve and enhance its products. Therefore, Neptune reserves the right to change product or system specifications without notice.

**Neptune Technology Group Inc.**  
1600 Alabama Highway 229  
Tallahassee, AL 36078  
USA  
Tel: (800) 645-1892  
Fax: (334) 283-7299

**Neptune Technology Group (Canada) Ltd.**  
7275 West Credit Avenue  
Mississauga, Ontario  
L5N 5M9  
Canada  
Tel: (905) 858-4211  
Fax: (905) 858-0428

**Neptune Technology Group Inc.**  
Ejército Nacional No. 418  
Piso 12, Desp. 1201-1202  
Col. Chapultepec Morales  
Delegación Miguel Hidalgo  
11570 México, Distrito Federal  
Tel: (525) 55203 5294 / (525) 55203 5708  
Fax: (525) 55203 6503

