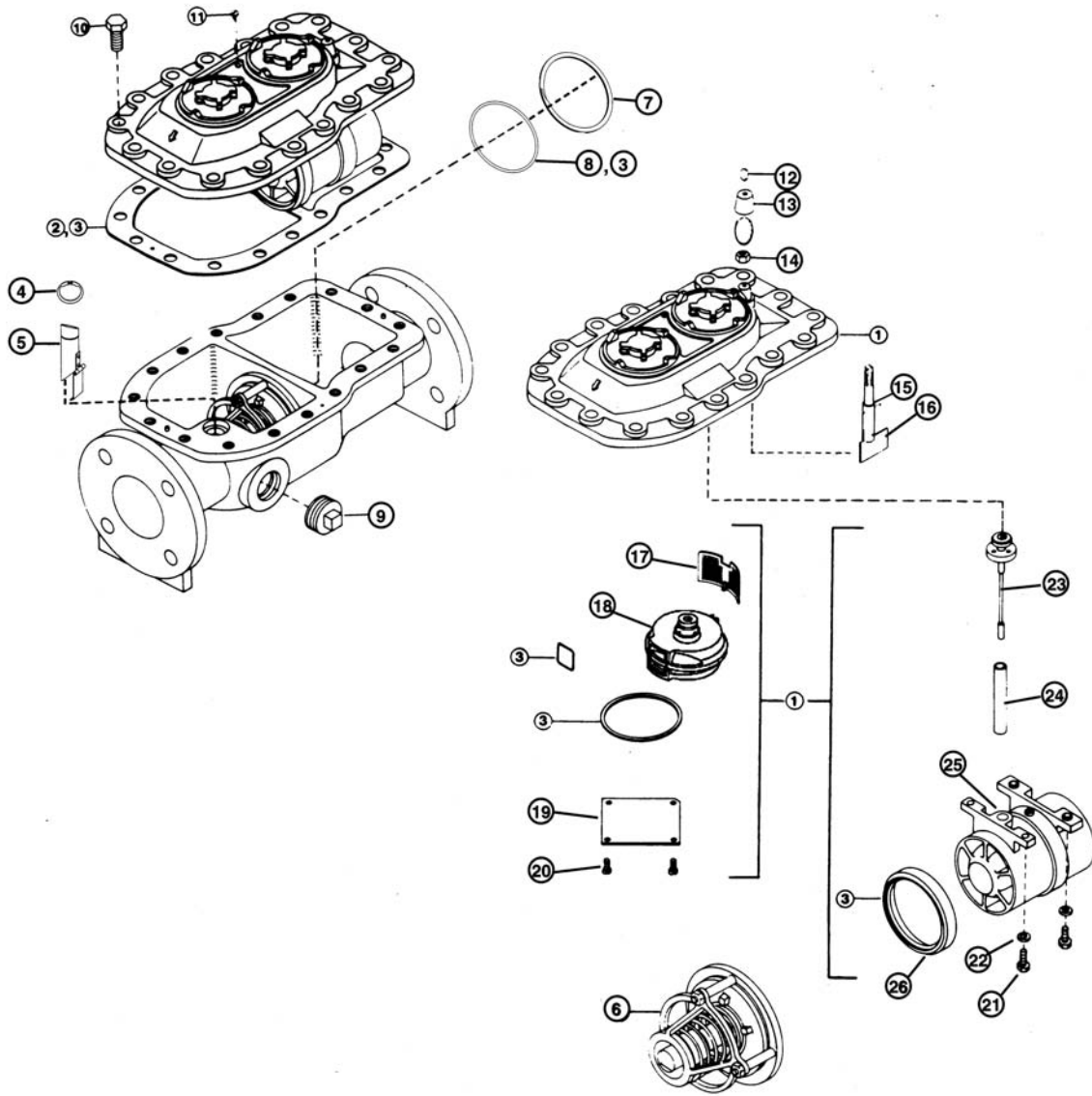


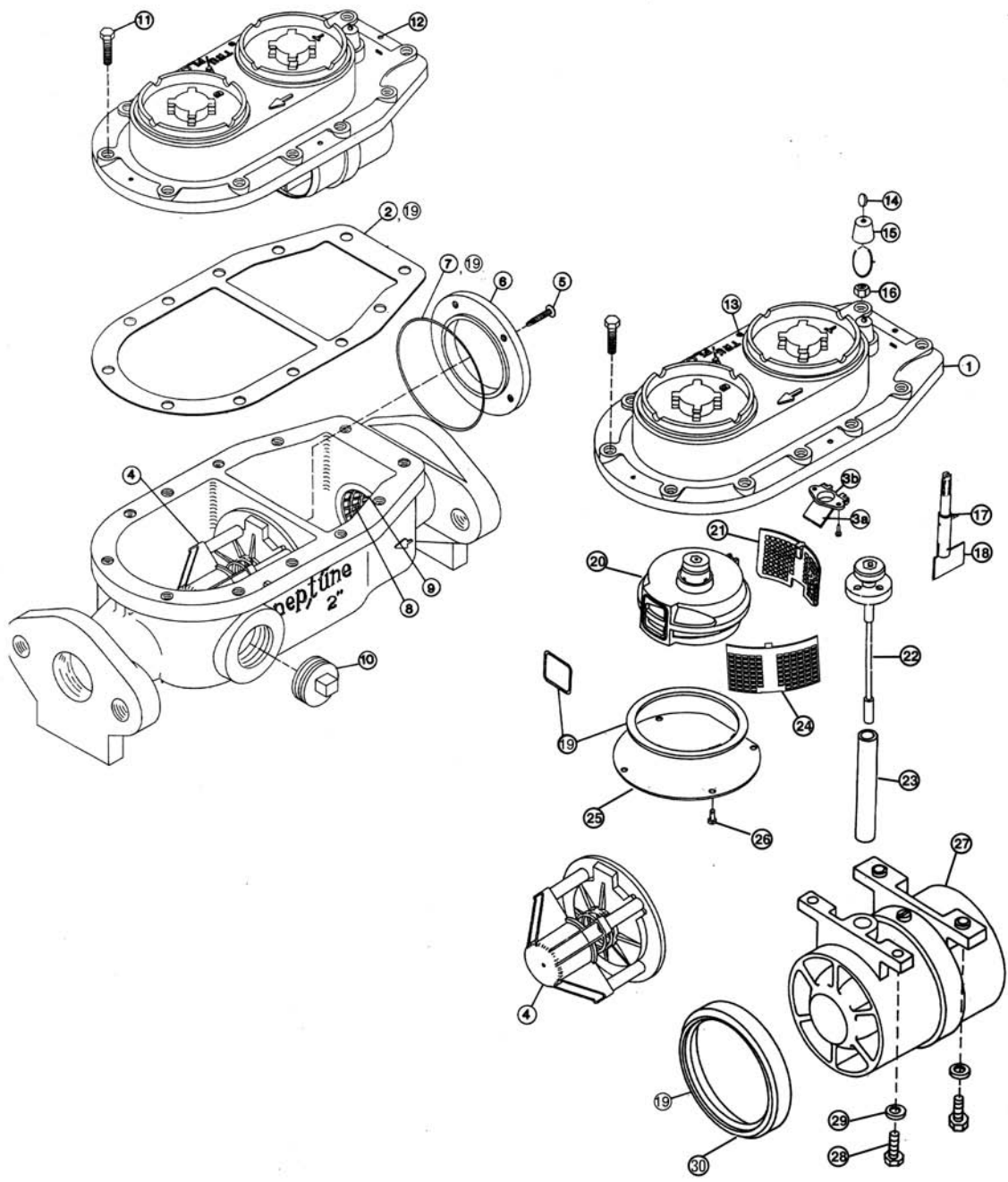
## TRU/FLO® Compound Parts List



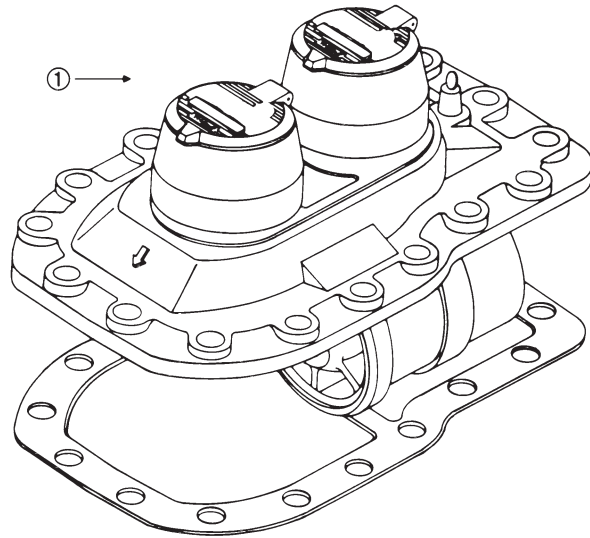
ITEM	DESCRIPTION	METER SIZE & PART NUMBERS		
		3"	4"	6"
1	Cover Assembly	9409-003	9565-100	9566-100
2	Maincase Gasket	8341-312	8341-313	8341-314
3	Maincase Gasket Kit	9685-001	9685-002	9685-003
4	Snap Ring	8579-033	8579-034	8579-036
5	Throttle Valve Assembly	9571-110	9571-200	9571-300
6	Main Valve Assembly	9403-120	9403-121	9403-122
7	Main Valve Snap Ring	8579-305	8579-306	8579-307
8	O-Ring	8316-274	8316-276	8316-275
9	Pipe Plug	8315-027(2)	8315-028	8315-028
10	Bolt Cover	8329-405	8329-405	8329-421
11	Vent Screw	8394-003	8394-003	8394-003
12	Seal Wire with Lead Seal	41110-501	41110-501	41110-501
13	Seal Cap	11098-001	11098-001	11098-001
14	Calibration Nut	8545-417	8545-417	8545-417
15	O-Ring	8316-022	8316-022	8316-022
16	Calibration Vane Assembly	11097-600	11097-700	11097-800
17	T-10 Strainer	9399-002	9831-001	9831-002
18	T-10 Chamber	9400-600	9826-200	9826-300
19	Plate	9406-001	9406-002	9406-003
20	Screw	8305-042	8329-006	8329-114
21	Bolt	8329-007	8329-007	8329-206
22	Washer	8568-012	8568-012	-
23	Drive Assembly	9485-006	9485-003	9485-008
24	Drive Sleeve	9484-008	9484-009	9484-010
25	Measuring Chamber Assembly	9439-001 SP00	9439-002 SP00	9439-106
26	Seal Ring	8340-063	8340-064	8340-065



ITEM	DESCRIPTION	METER SIZE & PART NUMBER
		2" HP
1	Cover Assembly	9676-100
2	Maincase Gasket	9675-001
3a	Throttle Valve Door	9679-001
3b	Throttle Valve Seat	9680-001
4	Main Valve Assembly	9669-000
5	Screw, Retainer	8328-045
6	Retainer Ring	9674-001
7	O-Ring, Retainer	8316-041
8	Strainer	9855-001
9	Locking Ring	9856-001
10	Pipe Plug	8315-027(2)
11	Bolt, Cover	8329-207
12	Spirol Pin	8350-008
13	Vent Screw	8394-003
14	Seal Wire with Lead Seal	41110-501
15	Seal Cap	11098-001
16	Calibration Nut	8545-417
17	O-Ring	8316-022
18	Calibration Vane Assembly	11097-610
19	Maincase Gasket Kit	9685-004
20	T-10 Chamber	9400-600
21	T-10 Strainer	9399-002
22	Drive Assembly	9485-011
23	Drive Sleeve	9484-013
24	2" HPT Strainer	9399-003
25	Chamber Plate	9678-001
26	Screw	8396-007
27	Measuring Assembly	9861-000
28	Bolt	8305-042
29	Washer	8568-010
30	Seal Ring	8340-062



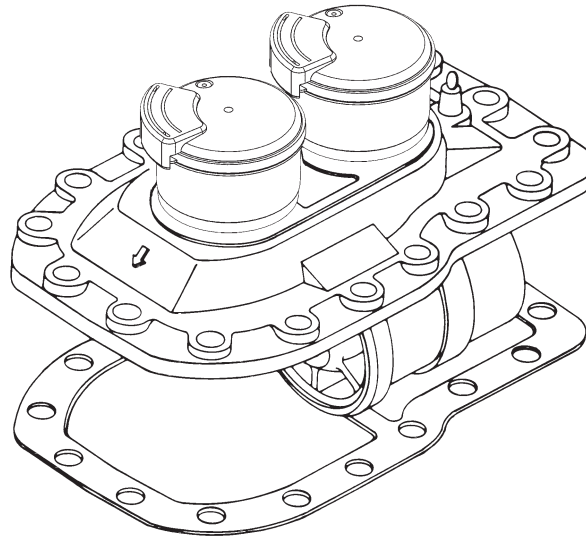
(UME INCLUDES: TWO REGISTERS, GASKET, AND COVER ASSEMBLY)



SIZE	REGISTRATION	(1) DIRECT READ		
		DISC REGISTER	TURBINE REGISTER	UME
2" HP	Cu. Ft.	R82F12	R85F1	9730-010
	Gal.	R82G12	R85G1	9730-020
	M <sup>3</sup>	R82M12	R85M1	9730-040
2"	Cu. Ft.	R82F12	R83F2	N/A
	Gal.	R82G12	R83G2	N/A
	M <sup>3</sup>	R82M12	R83M2	N/A
3"	Cu. Ft.	R82F12	R83F2	9596-110
	Gal.	R82G12	R83G2	9596-120
	M <sup>3</sup>	R82M12	R83M2	9596-140
4" w/T-8 Register	Cu. Ft.	R81F22	R83F3	N/A
	Gal.	R81G22	R83G3	N/A
	M <sup>3</sup>	R81M22	R83M3	N/A
6" w/T-8 Register	Cu. Ft.	R81F32	R83F4	N/A
	Gal.	R81G32	R83G4	N/A
	M <sup>3</sup>	R81M32	R83M4	N/A
4" w/T-10 Register	Cu. Ft.	R82F22	R83F3	9596-210
	Gal.	R82G22	R83G3	9596-220
	M <sup>3</sup>	R82M22	R83M3	9596-240
6" w/T-10 Register	Cu. Ft.	R82F32	R83F4	9596-310
	Gal.	R82G32	R83G4	9596-320
	M <sup>3</sup>	R82M32	R83M4	9596-340

Note: When ordering registers, please include change gear combination or four-digit register code from dial face.

(UME INCLUDES: TWO REGISTERS, GASKET, AND COVER ASSEMBLY)



SIZE	REGISTRATION	ARB V 4-Wheel Encoder*			ARB V 6-Wheel Encoder*			ProRead (ARB VI) 4-Wheel Encoder*			ProRead (ARB VI) 6-Wheel Encoder*		
		DISC	TURBINE		DISC	TURBINE		DISC	TURBINE		DISC	TURBINE	
		REGISTER	REGISTER	UME	REGISTER	REGISTER	UME	REGISTER	REGISTER	UME	REGISTER	REGISTER	UME
2" HP	Cu. Ft.	R52F11	R55F11	9730-012	R52F12	R55F12	9730-014	R62F11	R65F11	9730-013	R62F12	R65F12	9730-015
	Gal.	R52G11	R55G11	9730-022	R52G12	R55G12	9730-024	R62G11	R65G11	9730-023	R62G12	R65G12	9730-025
	M <sup>3</sup>	R52M11	R55M11	9730-042	R52M12	R55M12	9730-044	R62M11	R65M11	9730-043	R62M12	R55G12	9730-045
2"	Cu. Ft.	R52F11	R53F11	N/A	R52F12	R53F12	N/A	R62F11	R63F11	N/A	R62F12	R63F12	N/A
	Gal.	R52G11	R53G11	N/A	R52G12	R53G12	N/A	R62G11	R63G11	N/A	R62G12	R63G12	N/A
	M <sup>3</sup>	R52M11	R53M11	N/A	R52M12	R53M12	N/A	R62M11	R63M11	N/A	R62M12	R63M12	N/A
3"	Cu. Ft.	R52F11	R53F11	9596-112	R52F12	R53F22	9596-114	R62F11	R63F21	9596-113	R62F12	R63F22	9596-115
	Gal.	R52G11	R53G11	9596-122	R52G12	R53G22	9596-124	R62G11	R63G21	9596-123	R62G12	R63G22	9596-125
	M <sup>3</sup>	R52M11	R53M11	9596-142	R52M12	R53M22	9596-144	R62M11	R63M21	9596-143	R62M12	R63M22	9596-145
4" w/T-8 Register	Cu. Ft.	R51F11	R53F31	N/A	R51F22	R53F32	N/A	R61F21	R63F31	N/A	R61F22	R63F32	N/A
	Gal.	R51G21	R53G31	N/A	R51G22	R53G32	N/A	R61G21	R63G31	N/A	R61G22	R63G32	N/A
	M <sup>3</sup>	R51M21	R53M31	N/A	R51M22	R53M32	N/A	R61M21	R63F31	N/A	R61M22	R63M32	N/A
6" w/T-8 Register	Cu. Ft.	R51F31	R53F41	N/A	R51F32	R53F42	N/A	R61F31	R63F41	N/A	R61F32	R63F42	N/A
	Gal.	R51G31	R53G41	N/A	R51G32	R53G42	N/A	R61G31	R63G41	N/A	R61G32	R63G42	N/A
	M <sup>3</sup>	R51M31	R53M41	N/A	R51M32	R53M42	N/A	R61M31	R63M41	N/A	R61M32	R63M42	N/A
4" w/T-10 Register	Cu. Ft.	R52F11	R53F31	9596-212	R52F22	R53F32	9596-214	R62F21	R63F31	9596-213	R62F22	R63F32	9596-215
	Gal.	R52G21	R53G31	9596-222	R52G22	R53G32	9596-224	R62G21	R63G31	9596-223	R62G22	R63G32	9596-225
	M <sup>3</sup>	R52M31	R53M31	9596-242	R52M22	R53M32	9596-244	R62M21	R63M31	9596-243	R62M22	R63M32	9596-245
6" w/T-10 Register	Cu. Ft.	R52F31	R53F41	9596-312	R52F32	R53F32	9596-314	R62F31	R63F41	9596-313	R62F132	R63F42	9596-315
	Gal.	R52G31	R53G41	9596-322	R52G32	R53G42	9596-324	R62G31	R63G41	9596-323	R62G32	R63G42	9596-325
	M <sup>3</sup>	R52M31	R53M41	9596-342	R52M32	R53M42	9596-344	R62M31	R63M41	9596-343	R62M32	R63M42	9596-345

\*Registers do not include ARB® remote receptacles.

Note: When ordering registers, please include change gear combination or four-digit register code from dial face.

Neptune engages in ongoing research and development to improve and enhance its products. Therefore, Neptune reserves the right to change product or system specifications without notice.

**Neptune Technology Group Inc.**

1600 Alabama Highway 229  
Tallassee, AL 36078  
USA

Tel: (800) 645-1892  
Fax: (334) 283-7299

**Neptune Technology Group (Canada) Ltd.**

7275 West Credit Avenue  
Mississauga, Ontario  
L5N 5M9  
Canada

Tel: (905) 858-4211  
Fax: (905) 858-0428

**Neptune Technology Group Inc.**

Ejército Nacional No. 418  
Piso 12, Desp. 1201-1202  
Col. Chapultepec Morales  
Delegación Miguel Hidalgo  
11570 México, Distrito Federal  
Tel: (525) 55203 5294 / (525) 55203 5708  
Fax: (525) 55203 6503



**NEPTUNE**  
TECHNOLOGY GROUP  
**Take Control.**

[neptunetg.com](http://neptunetg.com)